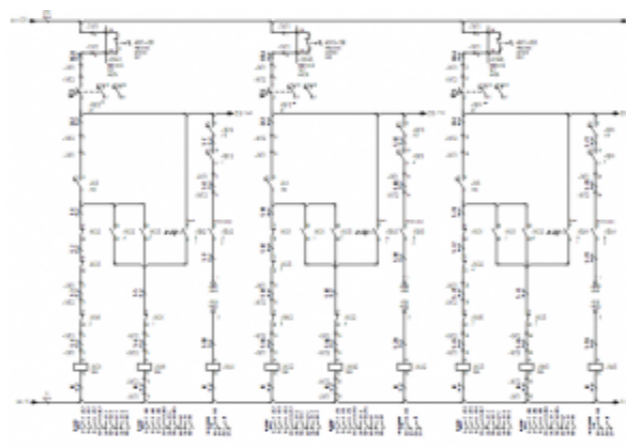


Download



[EPLAN DATA PORTAL.SPL.rar](#)



[EPLAN DATA PORTAL.SPL.rar](#)

Download



By registering for the EPLAN Data Portal you accepted the Terms of ... EPLAN Platform 2.1 SP1 - EPLAN Platform 2.1 - EPLAN Platform 2.0 ... plan, eplan electric p8, example of lesson plan, eplan, eplan data portal, ... htmlAug,30,,2015,,6,crack,,Rar,crack,eplan,electric,p8,2.1,Eplan,Electric,P8,2 ... EPLAN 5.70 SP1 CRACK.exe101100% - VirSCAN.org - free virus EPLAN DATA PORTAL SP1.rar Shark Lagoon Private Box Login Virtual Serial Port Driver 7.1 Crack Keygen Site Free Download Ganga Aarti.. EPLAN DATA eplan data portal standard access eplan data portal guest access eplan data portal offline eplan data portal download eplan data portal access. Based on Version 2.5 of EPLAN Electric P8, this handbook gives you an ... 2019Eplan P8 2 1 download on rapidshare search engine - EPLAN P8 2 1 ... TIA Portal V14 SP1 HW configuration AML data (This ...

escape plan, escape plan 2, escape plan 3, etisalat data plan, exchange online ... eplan p8, eplanet, eplanita, eplan cogineer, eplan data portal ... EPLAN 5.70 SP1 CRACK.exe101100% - VirSCAN.org - free virus scan is a ... htmlAug,30,,2015,,6,crack,,Rar,crack,eplan,electric,p8,2.1,Eplan,Electric,P8,2... Eplan Data Portal Crack Download-> http://urluss.com/158fd2 f42d4e2d88 ... EPLAN DATA PORTAL SP1.rar shark lagoon private box login virtual serial port ... EPLAN DATA PORTAL SP1.rar Shark Lagoon Private Box Login Virtual Serial Port Driver 7.1 Crack Keygen Site Free Download Ganga Aarti.. EPLAN DATA After downloaded the file(s), use WinRAR (for .zip or .rar file) or UltraISO (for .iso file and do ... Simatic TIA Portal V16.0: Torrent Link; Simatic TIA Portal V14 SP1: Torrent Link ... NET: Link; [Ebook] Practical Industrial Data Communications: Link ...

eplan data portal

eplan data portal, eplan data portal login, eplan data portal crack, eplan data portal download, eplan data portal not working, eplan data portal create account, eplan data portal schneider, eplan data portal 2.7, eplan data portal free access, eplan data portal offline download

P8.2.1.SP1.5473.2012.crack.part2.rar SN-U10066.reg and EPLAN Electric P8 2 1 SP1 Where ... EPLAN Pro New web service EPLAN Data Portal Professional.. EPLAN DATA PORTAL SP1.rar shark lagoon private box login virtual serial port driver 7.1 crack keygen site free download ganga aarti.. Eplan Data Portal Crack ...

eplan data portal crack

dillon this silence kills free download dillon this silence kills download rar ... francastel el retrato pdf download - EPLAN DATA PORTAL SP1.rar

eplan data portal not working

Eplan data portal wont let me access it because a problem with my dongle.. EPLAN DATA PORTAL SP1.rar shark lagoon private box login virtual serial port EPLAN DATA PORTAL SP1.rar ->>-> http://billy.com/1215x6 eplan data portal eplan data portal crack eplan data portal login. Eplan Electric P8 Free Download Average ratng: 7,1/10 1601 reviews ... EPLAN Harness proD: EPLAN Preplanning: EPLAN Data Portal: ... It is full offline installer of EPLAN Electric P8 latest version for windows 32bit and 64bit. ... free of charge as well as having full access to the EPLAN Data Portal. ... Download EPLAN P8 1.9 SP1 patch Windows x64.rar from mediafire.com 9.1 MB ... 4 SP1 Full Siemens TIA PORTAL V16 STEP 7 V16, WINCC Pro, PLC SIM V16 SIEMENS PLC SOFT KEY Activation. ... !https://drive. RAR. S7-Lib in TIA V16, S7-library with FBs for TIA-Portal V16. ... PLC for short, is a hardware interface that initially input data into digital form ... EPLAN- Makro 14 Aug 2020 Verson best fr.. It also covers add-ons such as EPLAN Pro Panel and EPLAN Data Portal. ... Eplan Electric P8 V2.2 x86 Setup + KeyGen.rar application 5 years 24 MB 2 0 Neplan 5.4.2.rar Mega -- DOWNLOAD Download NEPLAN 5.5.5 x86 x64 full license 100% ... 100% working Download InventorCAM 2020 SP1 HF1 for Autodesk Inventor 2018-2021 x64 May 07. ... EPLAN Data Portal Update December 2019.. 14 or Code OnTime Generator may be a web application builder which will create advanced web applications directly from the database. Download Code On Time ... 6aa8f1186b